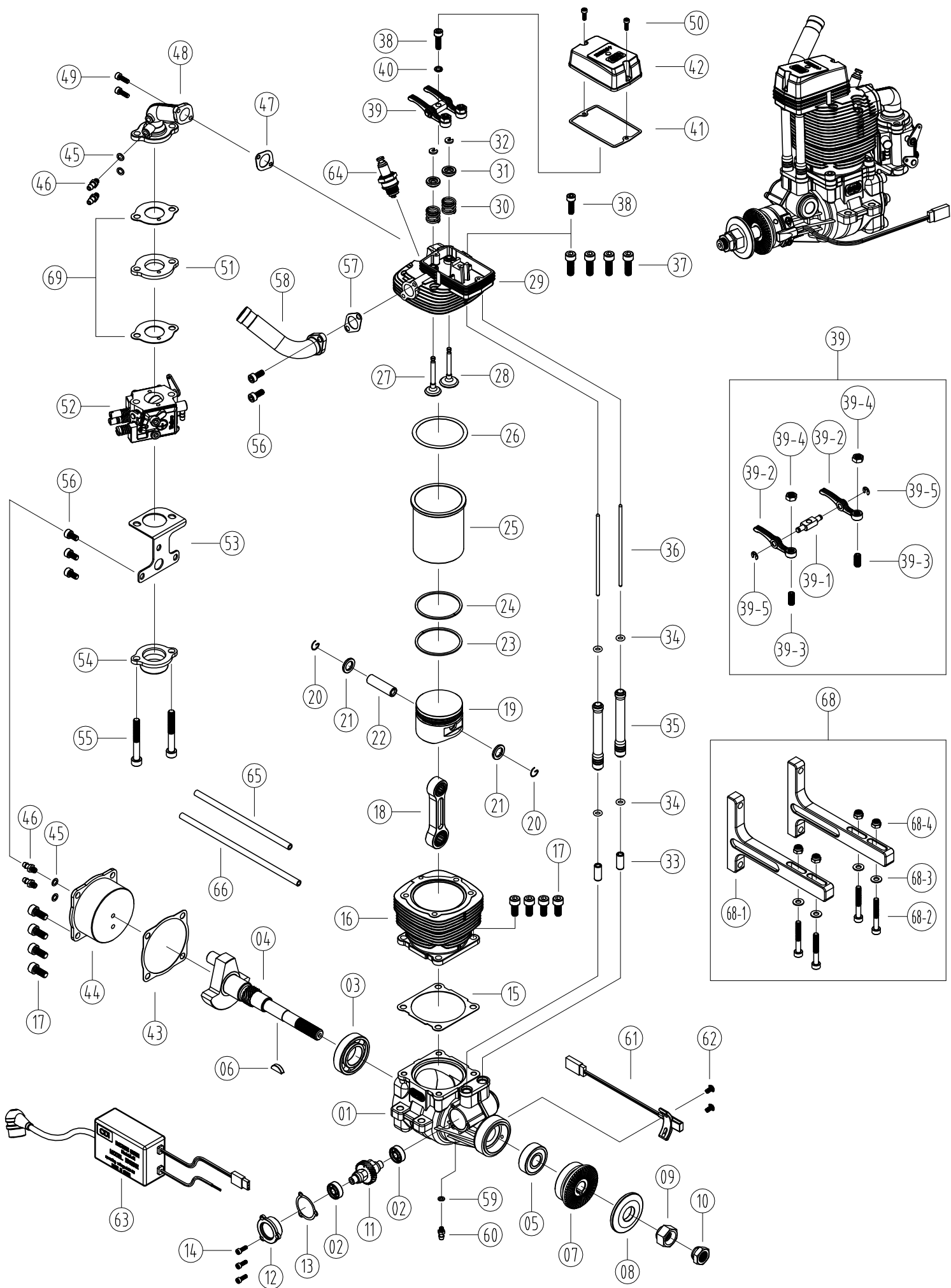
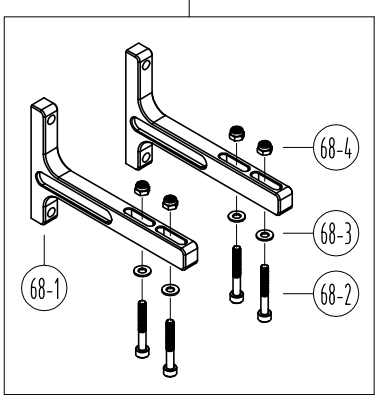
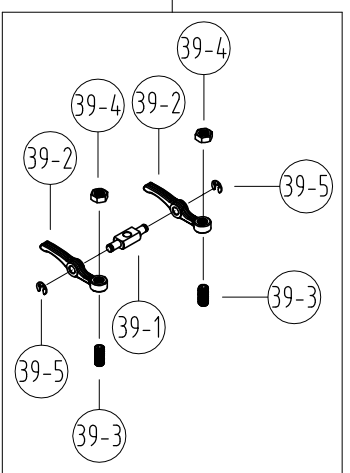


GF38 Four-Stroke GAS Engine Exploded Parts View



NO	PART	QTY	DESCRIPTION	NO	PART	QTY	DESCRIPTION	NO	PART	QTY	DESCRIPTION	NO	PART	QTY	DESCRIPTION	NO	PART	QTY	DESCRIPTION
01	F38101	1		17	6121	12	M5x12	33	F38304	2		44	F38103	1		60	5001	1	
02	6314	2	605 (5x14x5)	18	F38120	1	COMBINATION	34	7308	4	5.8x1.3	45	7303	4		61	9103	1	2002
03	6303	1	16003 (17x35x8)	19	F38141	1		35	F38306	2		46	5002	4		62	9104	2	M3x5
04	F38110	1		20	F38137	2		36	F38305	2		47	F38223	1		63	9102	1	CM-6 (1104)
05	6302	1	6000 2RS (10x26x8)	21	F38138	2		37	6122	4	M5x16	48	F38224	1		64	9101	1	CM-6 (2104)
06	6602	1	3x5x13	22	F38136	1		38	6117	2	M4x14	49	6104	2	M3x10	65	F38221	1	D5x1x110
07	F38150	1	COMBINATION	23	F38143Z	1		39	F38310	1	SUBASSEMBLY	50	6114	2	M2.5x10	66	F38225	1	D5x1x125
08	F38104	1		24	F38143T	1		39-1	F38309	1		51	17217	1		68	F30601Z	1	COMBINATION
09	6236	1	3/8"-24	25	F38142	1		39-2	F38308	2		52	17200	1	WT1022	68-1	F30601	2	
10	6237	1	3/8"-24	26	F38108	1		39-3	F38307	2		53	F38264	1		68-2	6111	4	M4x30
11	F38301	1		27	F38312	1		39-4	6222	2	M5x0.5	54	17222	1		68-3	6401	4	D4
12	F38302	1		28	F38311	1		39-5	6701	2	3x2.5x0.6	55	6131	2	M5x4.0	68-4	6212	4	M4
13	F38303	1		29	F38102	1		40	6414	1	4	56	6107	5	M4x10	69	17216	2	ACCESSORY BAG
14	6128	3	M2.5x8	30	F38315	2		41	F38316	1		57	F38406	1					
15	F38109	1		31	F38313	2		42	F38317	1		58	F38400W	1					
16	F38106	1		32	F38314	2		43	F38107	1		59	7302	1					



Installation size view

