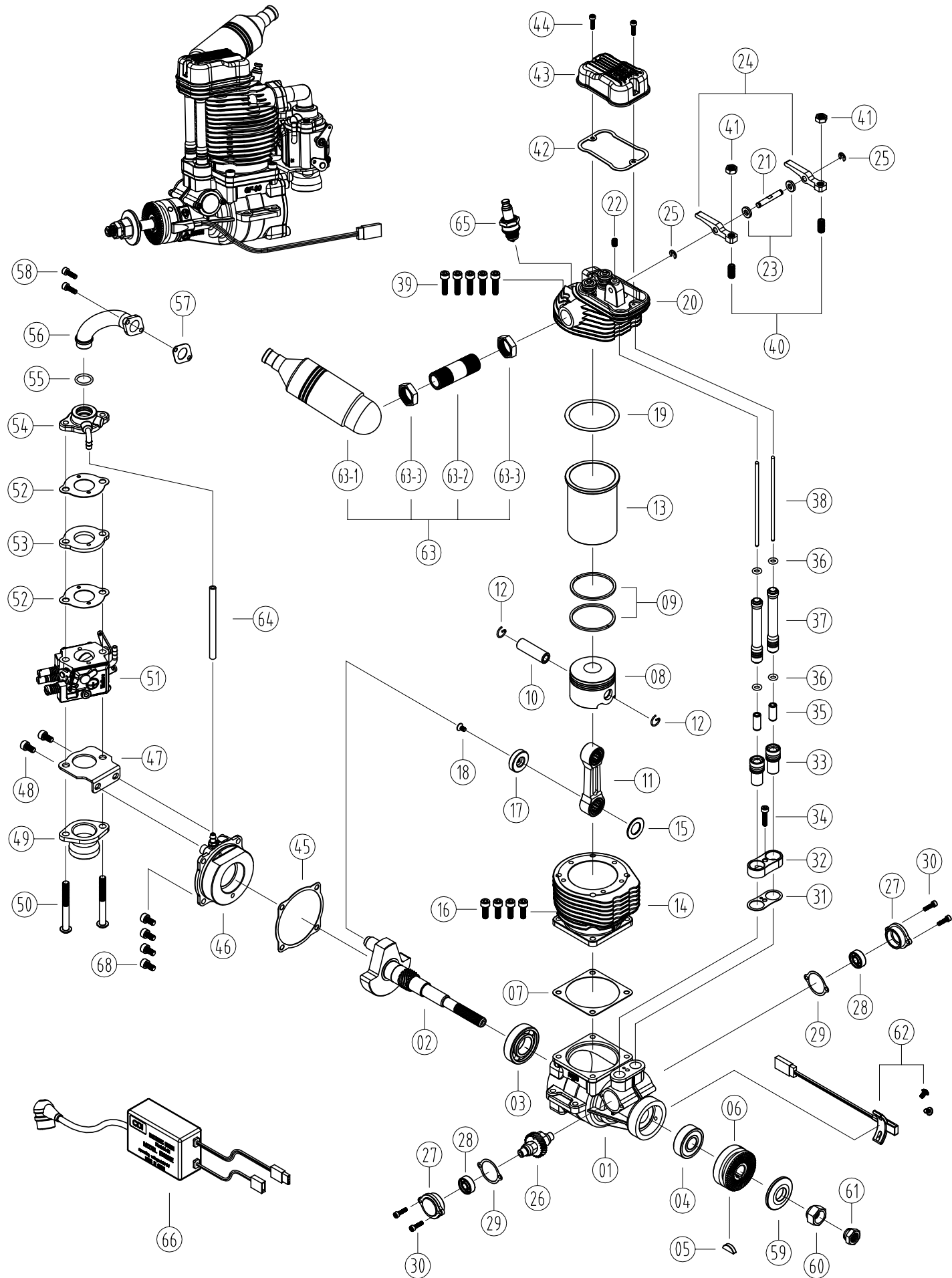


# GF30 Four-Stroke GAS Engine Exploded Parts View



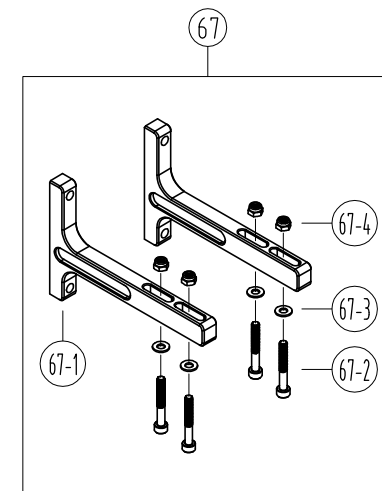
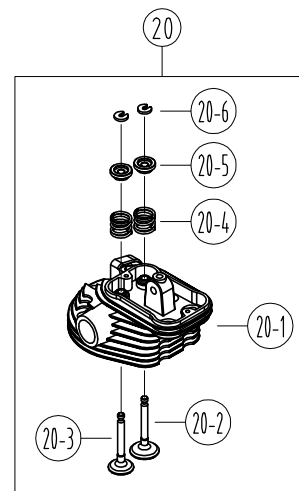
NO	PART	QTY	DESCRIPTION
63-1	F30410	1	
63-2	F30408	1	M14x0.75
63-3	6241	2	M14x0.75
64	F30221	1	D5x1x40
65	9101	1	CM-6
66	9102	1	CM-6 (1104)
67	F30601Z	1	COMBINATION
67-1	F30601	2	
67-2	6111	4	M4x30
67-3	6401	4	D4
67-4	6212	4	M4
68	6107	4	M4x10

NO	PART	QTY	DESCRIPTION
52	17216	2	
53	17217	1	
54	F30220	1	
55	7311	1	11.1x1.6
56	F30224	1	
57	F30223	1	
58	6104	2	M3x10
59	F30104	1	
60	6238	1	M8x1.25
61	6239	1	M8x1.25
62	9103	1	
63	F30400	1	COMBINATION

NO	PART	QTY	DESCRIPTION
39	6117	5	M4x14
40	F38307	2	
41	6222	2	M5x0.5
42	F30316	1	
43	F30317	1	
44	6114	2	M2.5x10
45	F30107	1	
46	F30160	1	COMBINATION
47	F30264	1	
48	6135	2	M4x8
49	F30222	1	
50	6134	2	M5x4.5
51	17200	1	COMBINATION

NO	PART	QTY	DESCRIPTION
20-3	F38312	1	
20-4	F38315	2	
20-5	F38313	2	
20-6	F38314	2	
21	F30309	1	
22	6133	1	M4x5
23	F30323	2	
24	F30308	2	
25	6701	2	3x2.5x0.6
26	F30301	1	
27	F30302	2	
28	6314	2	<sup>605</sup> (5x14x5)
29	F30303	2	
30	6128	4	M2.5x8
31	F30331	1	
32	F30319	1	
33	F30318Z	2	COMBINATION
34	6103	1	M3x14
35	F38304	2	
36	7308	4	5.8x1.3
37	F30306	2	
38	F38305	2	

NO	PART	QTY	DESCRIPTION
01	F30101	1	
02	F30110	1	
03	6321	1	<sup>16002</sup> (15x32x8)
04	6302	1	<sup>6000.2RS</sup> (10x26x8)
05	6602	1	3x5x13
06	F30150	1	COMBINATION
07	F30109	1	
08	F30141	1	
09	F30143	2	
10	F30136	1	
11	F30120	1	
12	F30137	2	
13	F30142	1	
14	F30106	1	
15	F30138	1	
16	6137	4	M4x12
17	F30139	1	
18	6136	1	M3x6
19	F30108	1	
20	F30320	1	COMBINATION
20-1	F30102	1	
20-2	F38311	1	



## Installation size

