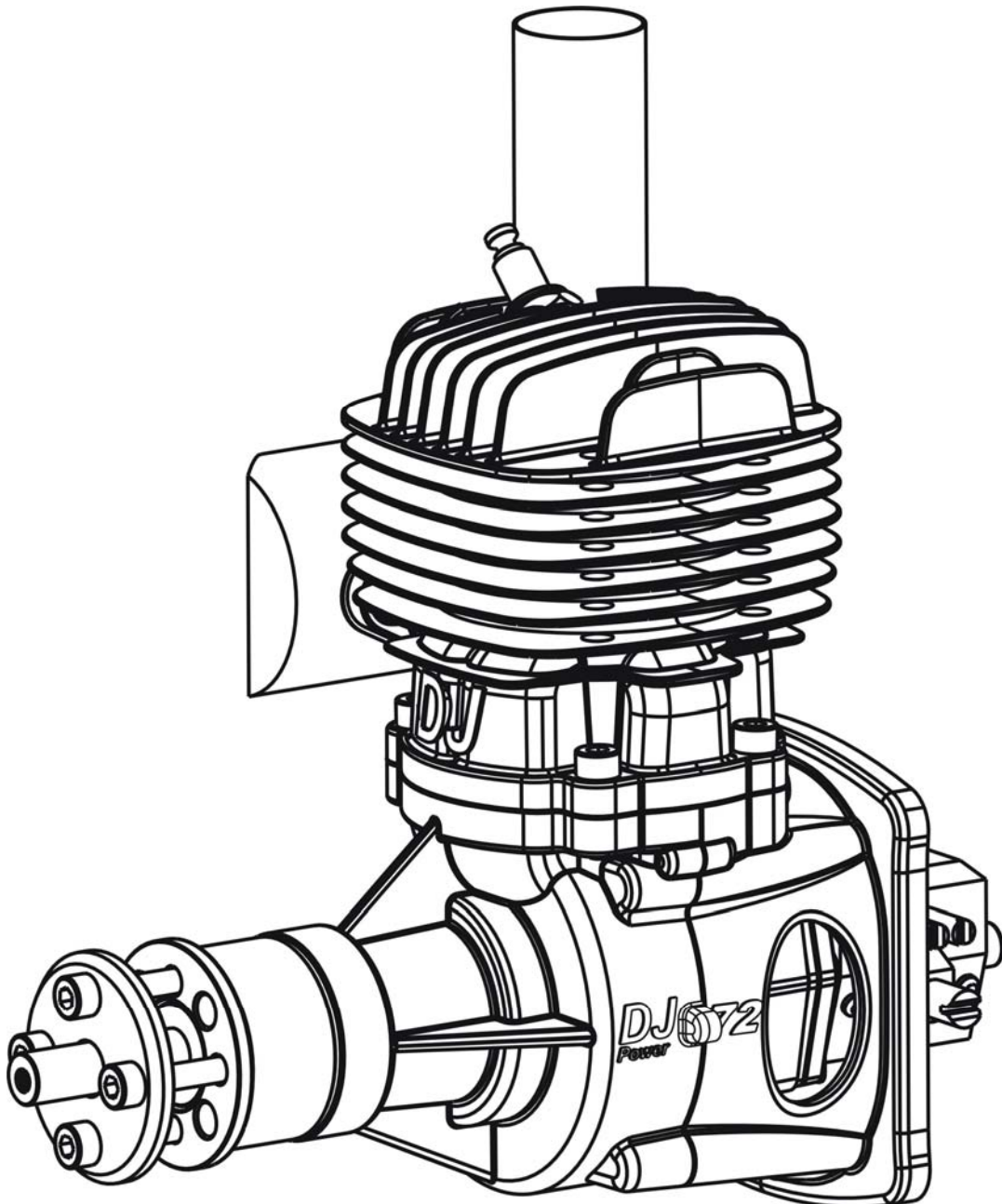


DJ ENGINE

GAS ENGINE USER MANUAL



DJ72-GTS

Accessory: The specifications are subject to alteration for improvement without notice.

SPECIFICATIONS

Displacement: 72CC

Max Output: 7.2 hp/8000rpm

Weight: (1580g)- w/o ignition & muffler

Bore:48 mm

Stroke: 40mm

RPM Range: 1200 to 8000

Propeller:23×10- 24×10

Tape of the spark plug: NGK CM-6

Ignition degree setup 28-35 before TDC

INITIAL RUNNING

引擎工作前的准备工作

While prolonged bench running is not essential with DJ engines, a short bench run is useful to familiarize the modeler with the engine's characteristics and begin the running in process.

虽然长时间的台架磨合对 DJ engines 并不是绝对必要,但是短时间的台架试车可以帮助您更快熟悉引擎的特性并开始对引擎进行初步的磨合。

First of all select a well ventilated area to run your engine and observe all SAFETY INSTRUCTIONS AND WARNINGS. The engine should be firmly mounted to a rigid hardwood mount or metal test mount. The engine mount should be fixed to a rigid workbench. The top mounting surfaces should be flat and parallel to prevent placing stress on the engine crankcase. Use hardened steel screws, steel hex nuts, and lock washers to bolt the engine down. The size of these screws should be the maximum diameter that will pass through the mounting holes. Be sure there is adequate clearance for the propeller and that there are no loose items around that could be blown or vibrated into the propeller's path.

首先选择一个通风良好的地方来运行你的引擎和遵守所有安全指示和警告。该引擎应牢固安装在一个硬木或金属的测试台架或刚性工作台上。安装架上端安装面应平行平整,以防对安装在上面的引擎曲轴箱产生压力。使用淬火钢的螺丝,六角螺母,螺栓和垫圈,把引擎固定牢靠。这些螺钉的尺寸应该是能通过安装孔最大的直径。要确保螺旋桨周围有足够的空间而且没有容易松动的零件被吹的进入螺旋桨的旋转面。

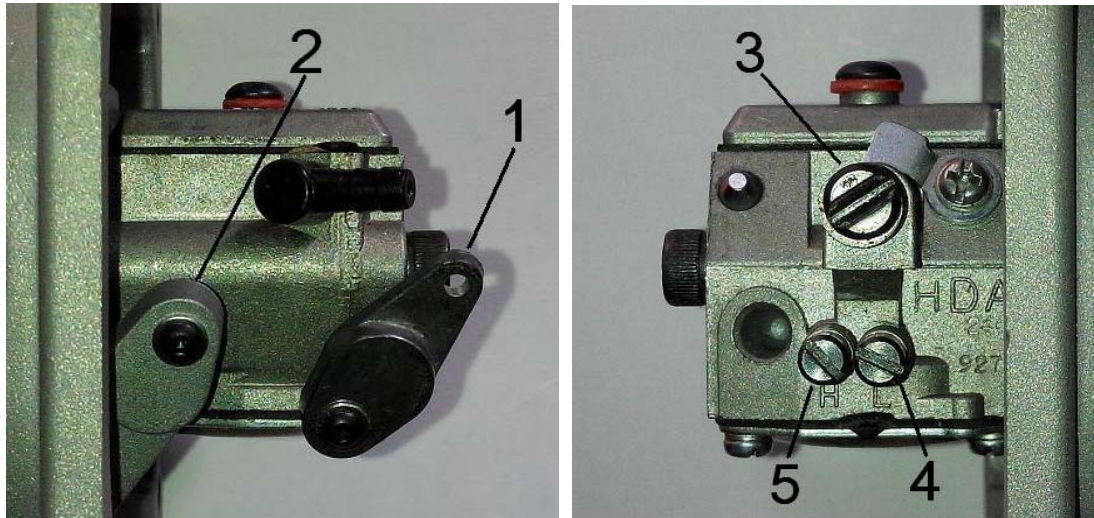
ENGING ADJUSTMENT

Every DJ engine has been adjusted to average mixture settings which will most likely allow the engine to start and run in most location. However, as altitudes and barometric pressures vary by location, it's very likely that the carburetor mixture setting will need to be adjusted to obtain optimum performance.

每台 DJ 引擎在出厂之前都经过了大致的调整,在一般情况下都可以正常地启动和工作。但是由于每个用户所处的环境(海拔,大气压)等情况不同,有可能需要对化油器油针进行微小的调整才可以使引擎的发挥达到最佳。

FUNCTIONS AND ADJUSTMENTS

功能及调整



- (1) Choke Lever
阻风门
- (2) Throttle Lever
油门
- (3) Idle Speed Adjusted Screw
怠速螺丝
- (4) Low Speed Mixture Adjusted Screw (L)
低速油针
- (5) High Speed Mixture Adjusted Screw (H)
高速油针

ADJUSTMENT: A general starting point is 1.5 turns out of the low speed needle (NO: 4). And 1-1.5 turns out of the high speed needle (NO: 5).

调整方法：低速针一般开 1.5 圈左右（编号：4）。而高速油针一般开 1-1.5 圈

Adjusted the high needle to peak rpm .If ever the engine slows or dies while at full throttle, The high speed mixture is likely to lean.

调整高速油针直到最高转速。如果在全油门下引擎转速下降或熄火，则高速油针可能太小。

Adjusted the low needle until you achieve a smooth idle and a reliable transition to high throttle, if the engine dies when the throttle is advanced, the mixture is likely too lean. If the engine stumbles when the throttle is advanced, the mixture is likely too rich.

调整底速油针，直到您实现油门怠速平稳并可靠地过渡到高速。如果引擎在提速时立即熄火，则底速油针可能太小了。如果引擎在提速时非常迟钝，则底速油针可能太大了。

Caution: Don't be tempted to run an overly rich mixture. A too rich mixture will only result in poor engine performance, pre-mature carbon build up, a fouled plug and excessive exhaust residue. However, a lean mixture will also damage the cylinder piston badly. After few flights, check the spark plug, it appears to be yellow if mixture had been set properly

注意：不要把化油器油针调的过大，这样会使引擎无法发挥出功率，排出浓烟，并导致积碳和火花塞失效。然而如果把化油器油针调的过小，就会使汽缸和活塞严重过热和损坏。在经

过了几轮的飞行之后，拆下火花塞目视检查，火花塞电极的颜色是橘黄色的为最佳。

Carburetor can be rotated 180° for use.

化油器可以使用旋转 180°使用。

Start-up the engine

启动引擎

Step 1: Close the choke and turn on the ignition, advance throttle to full position.

第 1 步：关闭阻风门，打开点火电源，把油门推倒最大位置。

Step 2: briskly flip the prop through compression until the engine fires and then dies. It may take a few more flips if this is first time to start the engine after being stored for a long period.

第 2 步：不停快速地拨动螺旋桨通过引擎压缩位置，直到引擎运转起来，然后自然熄火。如过引擎经过长时间的放置未使用或是第一次发动，那么可能需要多拨动几次螺旋桨。

Step 3: Open the choke and briskly flip the prop through compression, advance the throttle to very slightly above the idle position, the engine should start in just a few flips.

第 3 步：打开阻风门，推一点油门，并再次不停快速地拨动螺旋桨通过引擎压缩位置，直到引擎运转起来进入正常工作状态。

Step 4: Open the choke, advance the throttle to very slightly above the idle position, turn on ignition and briskly flip the prop through compression.

第 4 步：热车启动时，直接打开阻风门和点火电源，不停快速地拨动螺旋桨通过引擎压缩位置，直到引擎运转起来进入正常工作状态。

To stop the engine, cut off the air or fuel supply. Never use your hands, fingers, or any other part of your body to stop the propeller. **DO NOT THROW ANYTHING INTO A RUNNING ENGINE TO STOP IT!**

要引擎停止工作，可以切断空气或燃料的供应。千万不要使用你的手，手指，或任何身体的其他部分停止螺旋桨。不要把任何东西扔到正在运行的引擎并使引擎停止工作。

CARE AND MAINTENANCE

引擎注意及保养事项

To ensure long life and peak performance from your engine, please follow the following steps.

Please use the petrol 93# and two stroke motor oil. The ratio of petrol and oil is 30:1. Don't mixed up different brand of the oil. carburetor could be seriously

- 1.
2. Avoid running the engine under dusty conditions.
3. Keep the engine exterior clean at all times.
4. Install a fuel filter between fuel tank and carburetor and install another fuel filter to the fuel pump inlet.
5. Always check the tube at fuel system, make sure there is no air leaking.
6. Do not leave fuel in the engine and fuel tank.
7. Avoid unnecessary dismantling of your engine

8. Running at low speed for too long might carbonize the spark plug.

为确保您的引擎寿命和峰值性能，请遵循以下步骤。

1. 请使用 **93#**（或以上）汽油和两冲程摩托车机油，燃料和润滑油的比例一般为 **30: 1**。不要让不同品牌的润滑油混合使用，否则可能导致化油器油路的严重阻塞。
2. 避免尘土飞扬的条件下运行的引擎。
3. 在任何时候都要保持引擎外部清洁。
4. 在化油器和油箱之间安装一个燃油过滤器。
 5. 经常检查油箱至化油器之间的燃料管路，确认没有漏气的情况。
 6. 燃料不要长留在引擎和燃料箱里。
 7. 避免不必要地拆解您的引擎
 8. 引擎长时间工作在低速工况下，可能导致火花塞严重积碳。

ENGINE INSTRUCTIONS

IMPORTANT

Be sure to carefully read all of the instructions supplied with your engine. Please read and follow the “Safety Instructions and Warnings” before attempting to operate your engine. You and you alone are responsible for the safe operation of your engine. If you have any questions or are in doubt about any safety factors, contact your hobby dealer.

重要事项

一定要仔细阅读与您的引擎提供的所有说明。请阅读并遵循“安全指示和警告”，然后再尝试使用您的引擎。你个人必须对您的引擎的安全运行负责。如果您有任何疑问或对安全问题有任何疑问，请联系您的经销商。

SAFETY INSTRUCTIONS AND WARNINGS:

This model engine is not a “toy,” but a precision-built machine that can produce power to harm you and others if abused, misused, or if you fail to observe the safety rules. Respect the power it can produce and keep it working for your pleasure by following the safety instructions.

安全提示和警告：

该模型引擎是不是一个“玩具”，而是一台制造精密的机器，并具有很强的动能。如果你不遵守安全规则滥用，误用，就会对您和他人带来危害。遵守引擎的安全使用规则才可以使它正常工作，并给您带来快乐！

AT ALL TIMES

在所有场合中

1. Keep spectators and small children at least 20 feet away.
让观众和小孩至少离你 20 英尺远。
2. For engine testing, mount the engine securely in a solid test stand using lock washers. **DO NOT** clamp the engine in a vice.
对于引擎试车，应当安装在牢固的引擎台架上并使用防松垫圈。决不要把引擎直接夹在台虎钳上试车。
3. Use the correct size and pitch of propeller for your engine. we recommend only wood propellers. All non-wood propellers require special care and handling. Follow the instructions

of the propeller manufacturer

为您的引擎选择正确的大小和螺距的螺旋桨。我们只建议您使用木质螺旋桨。所有非木质螺旋桨都需要按照螺旋桨制造商的指示特别注意事项和使用方法来使用。

4. Install the propeller with the curved side facing you. Tighten propeller nut against the washer and the propeller by using a correct propeller wrench. Propeller wrenches are available from your hobby dealer.

安装螺旋桨时要把桨的圆弧面对着你。使用正确的螺旋桨扳手拧紧桨螺母，垫圈和螺旋桨。螺旋桨扳手可以从你的经销商那里得到。

5. Discard any propellers with nicks, scratches, splits, cracks, or any sign of wear or damage. **NEVER ALTER, REPAIR, OR SHAVE A PROPELLER!**

不要使用任何有划痕，裂缝，短裂，或有任何磨损或损坏的迹象的螺旋桨。决不要试图改动，维修或者削制螺旋桨

6. Keep your face and body away from the path of the propeller as you start or run the engine. **DO NOT** put your face over the engine as you start it or while it is running.

在您启动或运行引擎时，让你的脸和身体远离螺旋桨旋转面。千万不要把你的脸靠近启动或运行时的引擎。

7. Use a “Chicken Stick” or electric starter for cranking the engine; both are available from your hobby dealer.

使用“启动棒”或电起动机启动引擎，两者都可以从你的经销商那里得到。

8. Make all engine and carburetor adjustments from **BEHIND** the rotating propeller.

如果螺旋桨正在旋转，那么任何对引擎或化油器的调整都必须从后面进行。

9. To stop the engine, cut off the air or fuel supply. Never use your hands, fingers, or any other part of your body to stop the propeller. **DO NOT THROW ANYTHING INTO A RUNNING ENGINE TO STOP IT!**

要引擎停止工作，可以切断空气或燃料的供应。千万不要使用你的手，手指，或任何身体的其他部分停止螺旋桨。不要把任何东西扔到正在运行的引擎并使引擎停止工作。

10. When carrying your model with the engine running, be especially cautious. Keep your eye on the propeller, and keep it away from yourself and others.

当你拿起运行中的模型和引擎时，要特别谨慎。保证螺旋桨一直在你的视线之中，让他远离自己和别人。

11. Under no circumstances should you fly control line models under or near high tension electric wiring.

在任何情况下都不允许在高压电线附近放飞模型。

12. Model engines develop considerable heat during operation. Don not touch any part of your engine until it has cooled.

引擎在工作过程中会产生相当高的温度。在它冷却下来之前请勿触碰引擎上的任何部件。

13. Never run your engine in an enclosed place (garage, basement, etc.). Model engine’s exhaust contains toxic carbon monoxide. **RUN YOUR ENGINE ONLY IN A WELL VENTILATED AREA.**

不要在一个封闭的地方（车库，地下室等）运行您的引擎。因为引擎的排气中含有剧毒的一氧化碳。确保只在通风良好的地方运行您的引擎。

WE RECOMMEND

我们建议

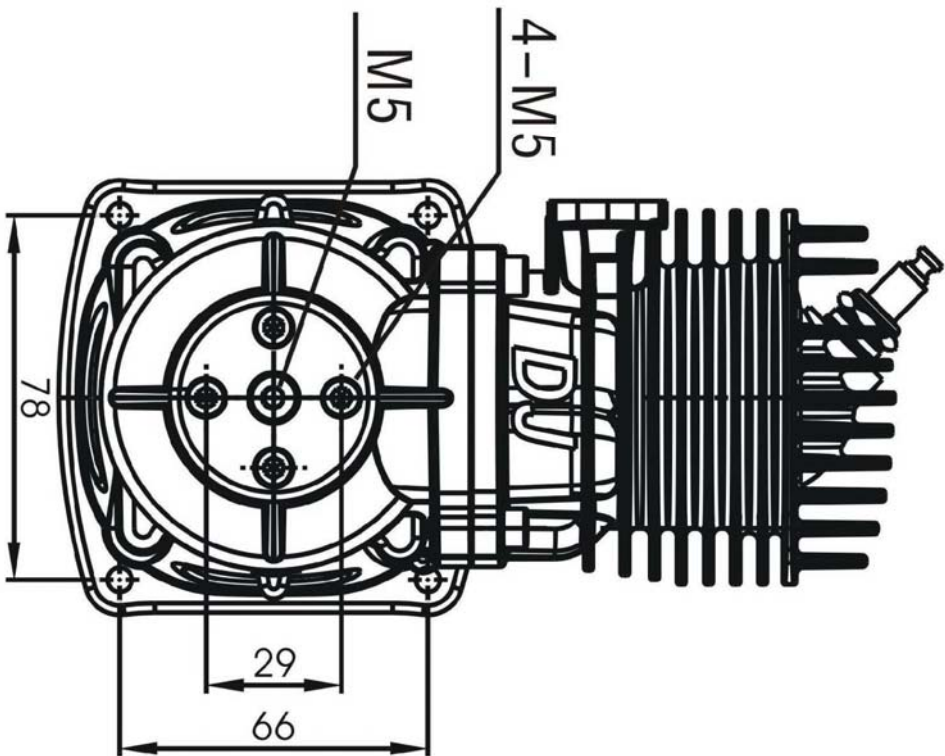
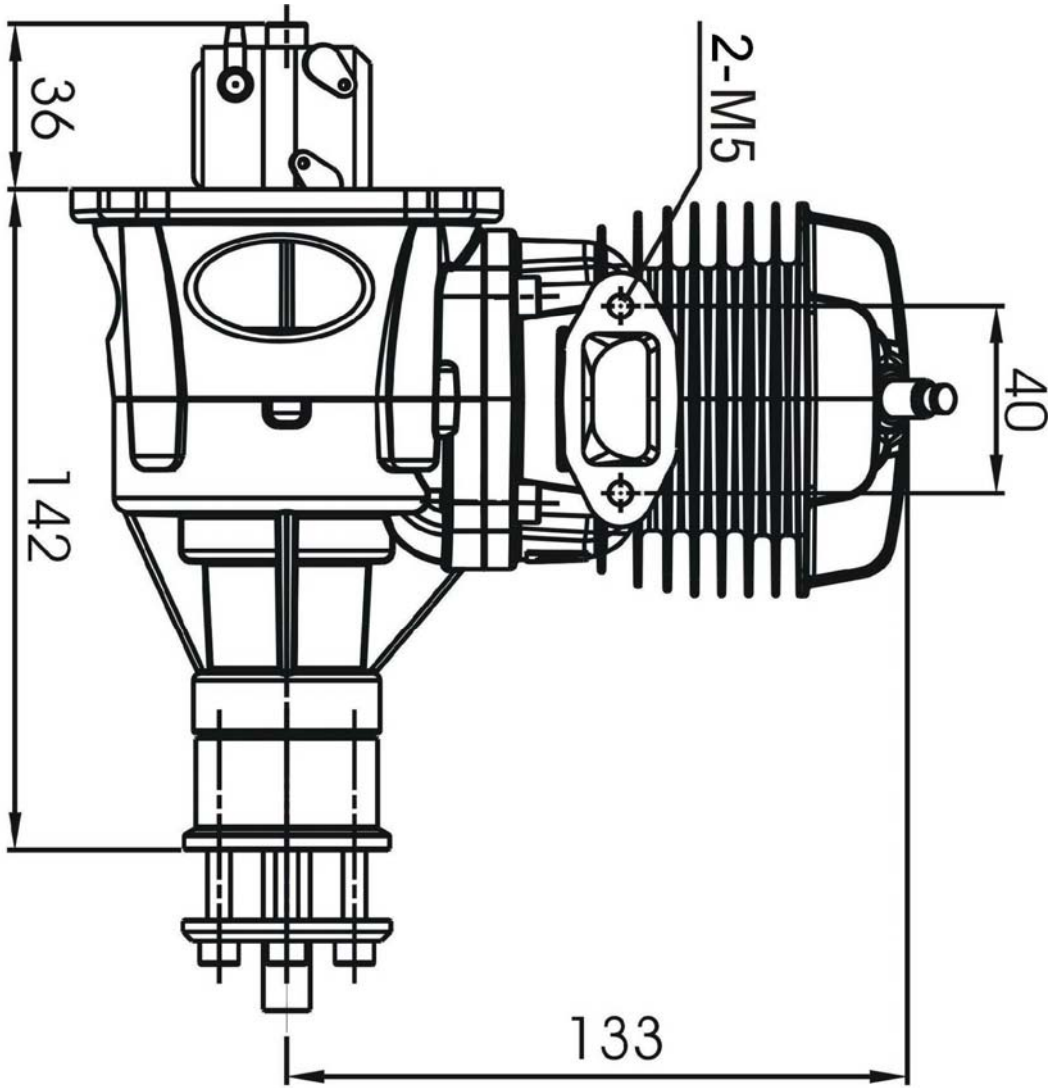
1. Use safety glasses or safety shield when starting or running your engine.
启动或运行您的引擎时使用安全眼镜或安全罩。
2. Do not run the engine in an area containing loose gravel or sand. The propeller can throw such materials into your face and eyes.
不要在一个四周都是松散碎石或沙子的地方发动您的引擎。因为螺旋桨会把杂物抛到您的脸上和眼睛里。
3. Do not allow loose clothing (such as shirt sleeves, ties or scarves) to come near the propeller. Keep loose objects (pencils, rulers, screwdrivers) out of shirt pockets to prevent them from falling into the propeller.
不允许穿着宽松的衣服，如长袖衬衫，领带，丝巾靠近螺旋桨。上衣口袋里不要有（铅笔，尺子，螺丝刀）和其他松散的东西，以防止它们掉到螺旋桨上。
4. Make certain the spark plug clip and it's cord are well out of the way of the propeller.
不要让火花塞帽子和线靠近螺旋桨
5. If you use a spinner, be certain it's edges do not touch the propeller blades. This could cause pre-mature propeller failure.
如果您使用浆锥，请确认它和浆叶的角度匹配，并且不会互相触碰。从而使螺旋桨过早得损坏。
6. Keep all engine fuels in a safe place. Keep fuels away from sparks, excessive heat, or anything which could ignite the fuel. Remember, gasoline is highly flammable and must be handled with extreme caution. Do not smoke while working on or running the engine.
把所有燃料保存在一个安全的地方。让燃料远离火花，高温，或任何可能点燃燃料的东西。记住，汽油是高度易燃的燃料，必须格外小心处理。不要在工作或运行引擎时吸烟。

Remember that operating any model with your engine requires skill and continuous safety precautions. A flying model, a power boat, a racing car – all can develop a great deal of power – enough to seriously injure people and do substantial damage. If you are a beginner, be sure to get training from an experienced modeler before operating your alone. Use good safety sense at all time and respect the power of the engine. **YOU AND YOU ALONE ARE RESPONSIBLE FOR THE SAFE OPERATION OF YOUR ENGINE.**

牢记，操作任何安装了您引擎的模型和都需要的专业的技能和安全的措施。任何模型，一架飞行中的飞机，一艘赛艇或是一辆赛车，都可以产生很大的动能。都足以对其他人造成严重伤害。如果您是初学者，在您单独操作之前，务必要经过一个经验丰富的模型玩家的指导。在任何时候都要对您引擎的功率有高度的安全意识。而您个人对安全使用您的引擎负有全部责任！

Contact us 联系我们

Email: dj.engine@hotmail.com



Unit: mm